



**-duyar-**  
**motorpompa**

## TABLE OF CONTENTS

|                              |    |
|------------------------------|----|
| DMP INV 40/12 - 250 .....    | 4  |
| DMP INV 40/15 - 250 .....    | 6  |
| DMP INV 50/12 - 280 .....    | 8  |
| DMP INV 50/15 - 280 .....    | 10 |
| DMP INV 65/12 - 340 .....    | 12 |
| DMP INV 65/15 - 340 .....    | 14 |
| DMP INV 80/12 - 360 .....    | 16 |
| DMP INV 80/15 - 360 .....    | 18 |
| GENERAL SELECTION TABLE..... | 20 |
| TECHNICAL INFORMATION .....  | 20 |
| DOCUMENTS .....              | 21 |

### Encodes

**DMP 40 / 12 - 250 - INV**

**Frequency Converter**

**Mounting Height**

**Discharge Head**

**Connection**

**Pump Type**



## Flanged Circulation Pump with Frequency Converter DMP 40/12 - 250 INV

Product Range

Product Series

Application Area

Construction Type

Flow Q Max.  
Discharge Head H Max.

Technical Data

Equipment/Function

Specifications

Technical Information

Permanent Magnet Wet Rotor Flange Pumps

- DMP 40/12 - 250 INV

Heating, cooling and air conditioning systems, Industrial circulation systems

Wet rotor circulation pump with frequency converter, with Flange connection

28 m<sup>3</sup> / h

12 mss

- Energy Consumption: 30 - 460 w
- Engine Speed 1500 - 4600 Rpm
- Energy Efficiency Index(EEI) : < 23
- Insulation Class: F
- Permissible Hot Range: -10° C / 110° C
- Mains Connection: 1 ~ 230 v, 50 Hz
- Protection Class: IP44
- Nominal Diameter: DN 40
- Max. Operating Pressure: 6 - 10 bar
- Relative Humidity: < %90
- Weight: 18 kg.

- Permanent magnet synchronous motor
- Integrated motor protection
- Operating modes;
  - Manuel mode
  - Variable pressure mode
  - Constant pressure mode
  - Night Mode

- ECM technology high degree effectiveness
- Display Indicator
- Easy Operation and Easy Installation
- Inter-device and Optional BMS Communication;
  - 2 Pcs. modbus
  - 2 Pcs. digital input
  - 1 Pc. relay output
  - Optional 2 Pcs. sensor connections
  - 4 - 20 mA ve 0 - 10 V

0,5 bar < 50° C

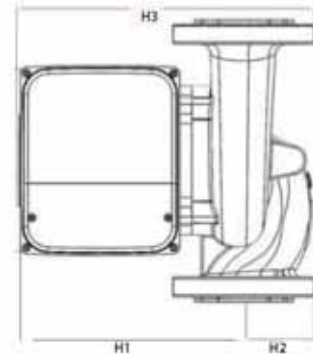
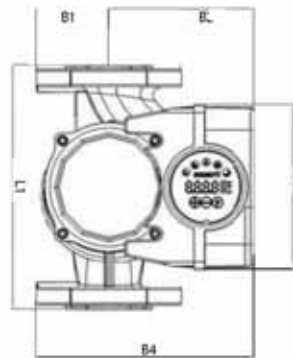
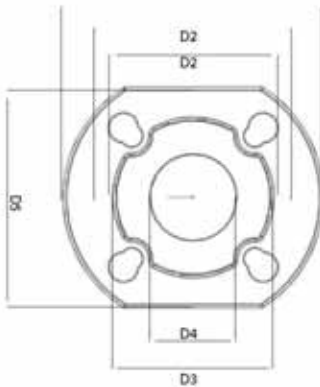
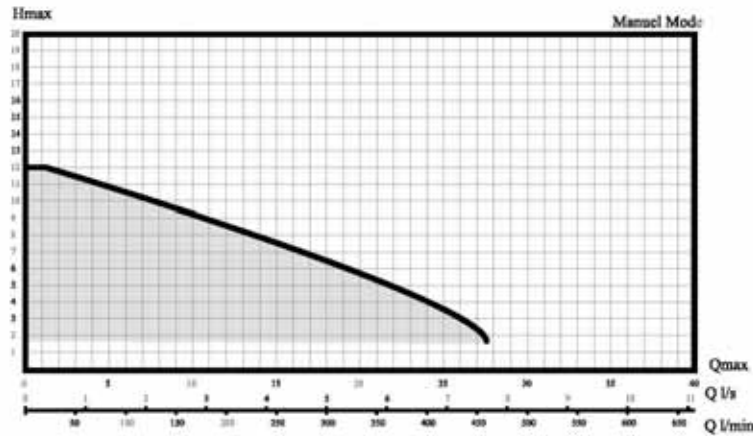
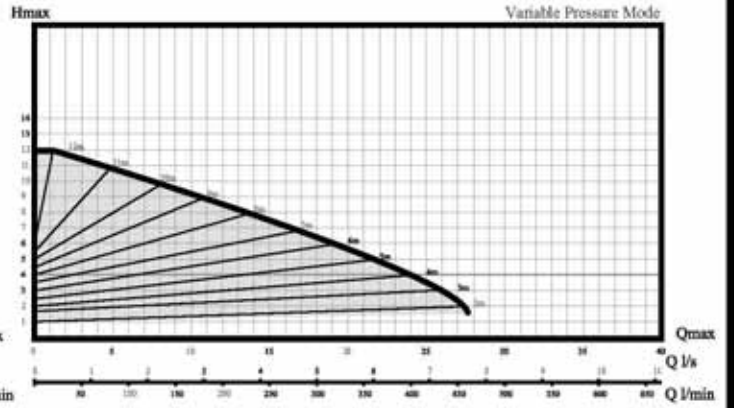
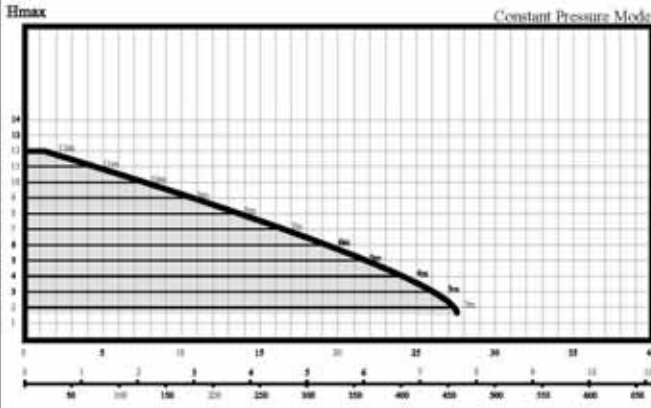
0,8 bar < 80° C

1,4 bar < 110° C





# Flanged Circulation Pump with Frequency Converter DMP 40/12 - 250 INV



| Pump Type            | D1         | D2         |            | D3        | D4        | D5         | nxØm(mm)    |             | B1        | B2         | B3         | B4         | L1         | H1         | H2        | H3         | Weight       |
|----------------------|------------|------------|------------|-----------|-----------|------------|-------------|-------------|-----------|------------|------------|------------|------------|------------|-----------|------------|--------------|
|                      |            | PN6        | PN10       |           |           |            | PN6         | PN10        |           |            |            |            |            |            |           |            |              |
| <b>DMP inv 40/12</b> | <b>150</b> | <b>100</b> | <b>110</b> | <b>90</b> | <b>44</b> | <b>130</b> | <b>4x14</b> | <b>4x18</b> | <b>75</b> | <b>168</b> | <b>188</b> | <b>243</b> | <b>250</b> | <b>225</b> | <b>65</b> | <b>290</b> | <b>18,10</b> |



## Flanged Circulation Pump with Frequency Converter DMP40/15 - 250 INV



Product Range

Product Series

Application Area

Construction Type

Flow Q max.  
Discharge Head H Max.

Technical Data

Equipment/Function

Specifications

Technical Information

### Permanent Magnet Wet Rotor Flange Pumps

#### ● DMP 40/15 - 250 INV

Heating, cooling and air conditioning systems, Industrial circulation systems

Wet rotor circulation pump with frequency converter, with Flange connection

30,5 m<sup>3</sup> / h

15 mss

- Energy Consumption : 30 - 630 w
- Engine Speed 1500 - 4600 Rpm
- Energy Efficiency Index (EEI) : < 23
- Insulation Class : F
- Permissible Hot Range: -10° C / 110° C
- Mains connection : 1 ~ 230 v, 50 Hz
- Protection Class : IP44
- Nominal Diameter: DN 40
- Max. Operating Pressure: 6 - 10 bar
- Relative Humidity: < %90
- Weight: 18 kg.

- Permanent magnet synchronous motor
- Integrated motor protection
- Operating modes;
  - Manuel Mode
  - Variable pressure mode
  - Constant pressure mode
  - Night Mode

#### ● ECM technology high degree effectiveness

- Display Indicator
- Easy Operation and Easy Installation
- Inter-device and Optional BMS Communication;
  - 2 Pcs. modbus
  - 2 Pcs. digital input
  - 1 Pc. relay output
  - Optional 2 Pcs. sensor connections
  - 4 - 20 mA ve 0 - 10 V

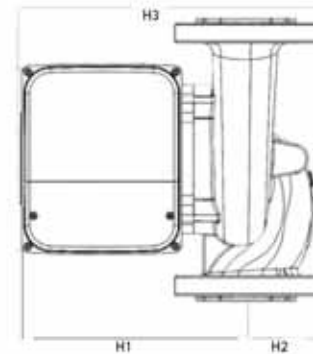
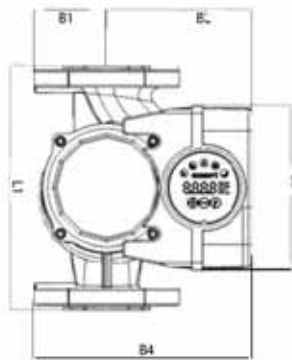
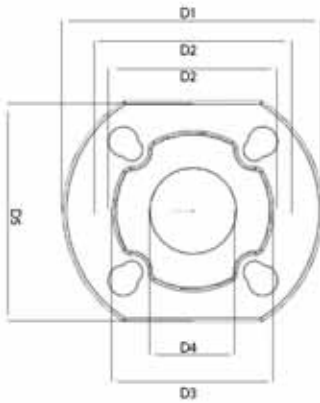
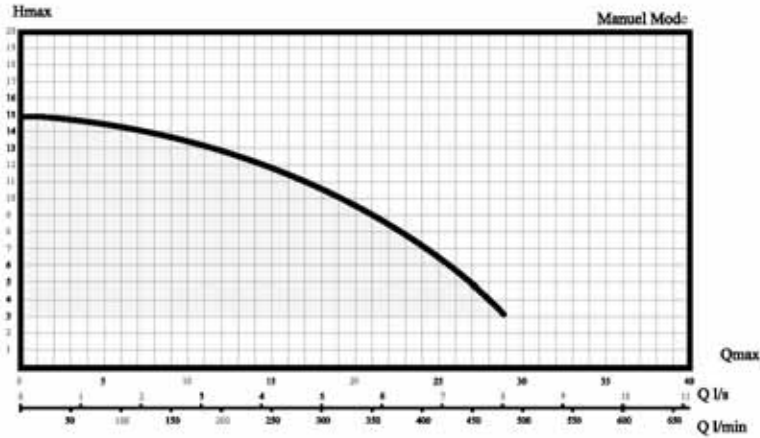
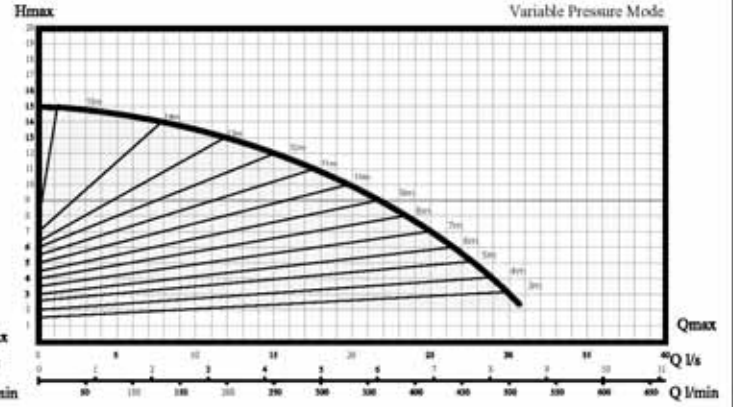
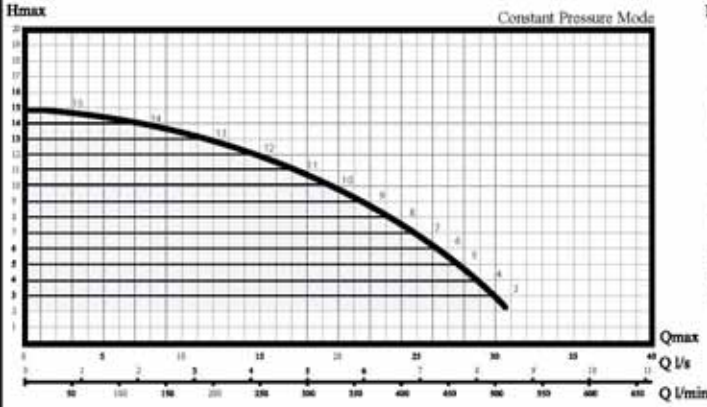
0,5 bar < 50° C

0,8 bar < 80° C

1,4 bar < 110° C



# Flanged Circulation Pump with Frequency Converter DMP 40/15 - 250 INV



| Pump Type            | D1         | D2         |            | D3        | D4        | D5         | nxØm(mm)    |             | B1        | B2         | B3         | B4         | L1         | H1         | H2        | H3         | Weight       |
|----------------------|------------|------------|------------|-----------|-----------|------------|-------------|-------------|-----------|------------|------------|------------|------------|------------|-----------|------------|--------------|
|                      |            | PN6        | PN10       |           |           |            | PN6         | PN10        |           |            |            |            |            |            |           |            |              |
| <b>DMP inv 40/15</b> | <b>150</b> | <b>100</b> | <b>110</b> | <b>90</b> | <b>44</b> | <b>130</b> | <b>4x14</b> | <b>4x18</b> | <b>75</b> | <b>168</b> | <b>188</b> | <b>243</b> | <b>250</b> | <b>225</b> | <b>65</b> | <b>290</b> | <b>18,10</b> |



## Flanged Circulation Pump with Frequency Converter DMP50/12 - 280 INV



Product Range

Product Series

Application Area

Construction Type

Flow Q max.  
Discharge Head H Max.

Technical Data

Equipment/Function

Specifications

Technical Information

### Permanent Magnet Wet Rotor Flange Pumps

#### ● DMP50/12 - 280 INV

Heating, cooling and air conditioning systems,  
Industrial circulation systems

Wet rotor circulation pump with frequency  
converter, with Flange connection

31,50 m<sup>3</sup> / h

12 mss

- Energy Consumption: 30 - 540 w
- Engine Speed 1500 - 4600 Rpm
- Energy Efficiency Index (EEI) : < 23
- Insulation Class: F
- Permissible Hot Range: -10° C / 110° C
- Mains connection: 1 ~ 230 v, 50 Hz
- Protection Class : IP44
- Nominal Diameter: DN 50
- Max Operating Pressure: 6 - 10 bar
- Relative Humidity: < %90
- Weight: 19,40 kg.

- Permanent magnet synchronous motor
- Integrated motor protection
- Operating modes;
  - Manuel Mode
  - Variable pressure mode
  - Constant pressure mode
  - Night Mode

- ECM technology high degree effectiveness
- Display Indicator
- Easy Operation and Easy Installation
- Inter-device and Optional BMS  
Communication;
  - 2 Pcs. modbus
  - 2 Pcs. digital input
  - 1 Pc. relay output
  - Optional 2 Pcs. sensor connections
  - 4 - 20 mA ve 0 - 10 V

0,5 bar < 50° C

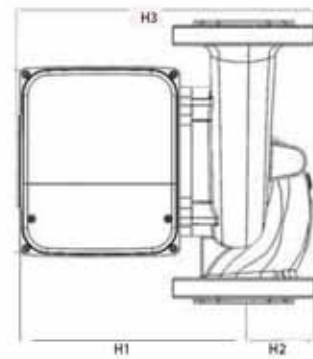
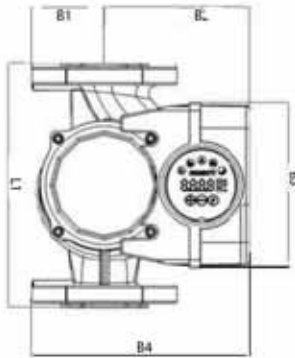
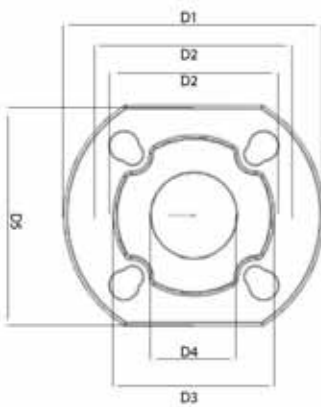
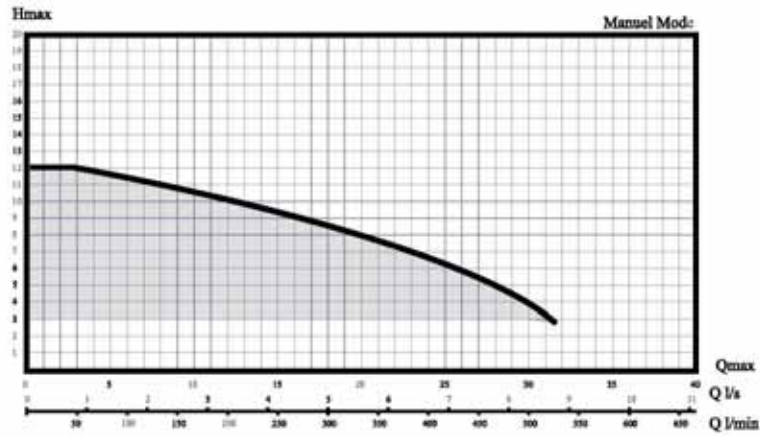
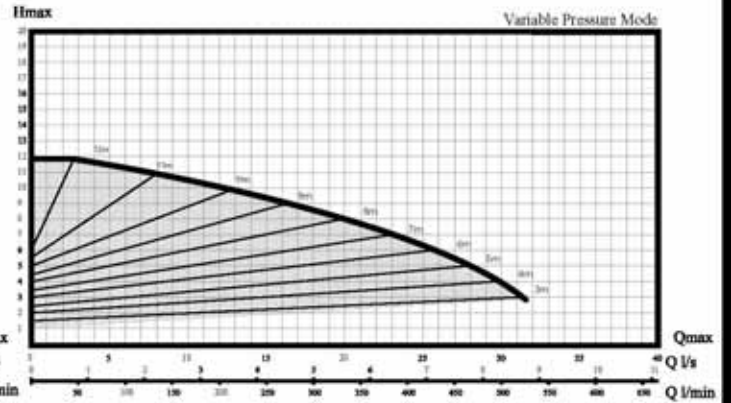
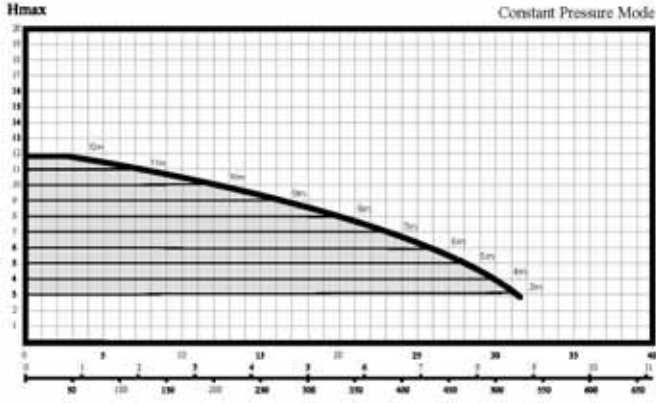
0,8 bar < 80° C

1,4 bar < 110° C





# Flanged Circulation Pump with Frequency Converter DMP 50/12 - 280 İNV



| Pump Type            | D1         | D2         |            | D3         | D4        | D5         | nxØm(mm)    |             | B1        | B2         | B3         | B4         | L1         | H1         | H2        | H3         | Weight       |
|----------------------|------------|------------|------------|------------|-----------|------------|-------------|-------------|-----------|------------|------------|------------|------------|------------|-----------|------------|--------------|
|                      |            | PN6        | PN10       |            |           |            | PN6         | PN10        |           |            |            |            |            |            |           |            |              |
| <b>DMP inv 50/12</b> | <b>165</b> | <b>110</b> | <b>125</b> | <b>100</b> | <b>54</b> | <b>140</b> | <b>4x14</b> | <b>4x18</b> | <b>82</b> | <b>168</b> | <b>188</b> | <b>250</b> | <b>280</b> | <b>225</b> | <b>70</b> | <b>295</b> | <b>19,40</b> |





## Flanged Circulation Pump with Frequency Converter DMP 50/15 - 280 INV



Product Range

Product series

Application Area

Construction Type

Flow Q max.  
Discharge Head H Max.

Technical Data

Equipment/Function

Specifications

### Permanent Magnet Wet Rotor Flange Pumps

- DMP50/15 - 280 INV

Heating, cooling and air conditioning systems, industrial circulation systems

Wet rotor circulation pump with frequency converter, with Flange connection

35 m<sup>3</sup> / h

15 mss

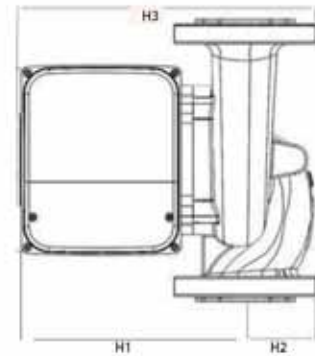
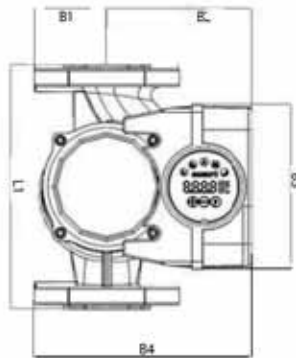
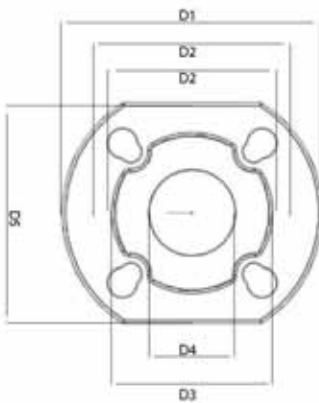
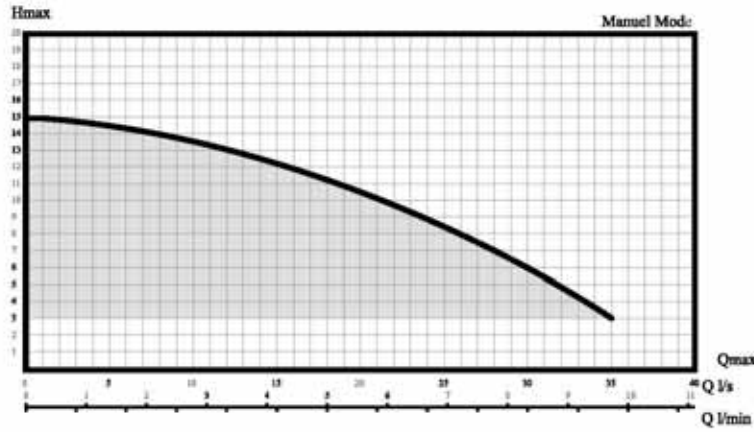
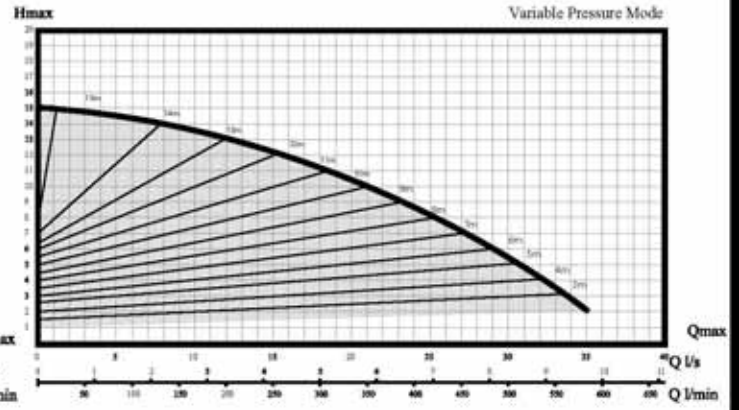
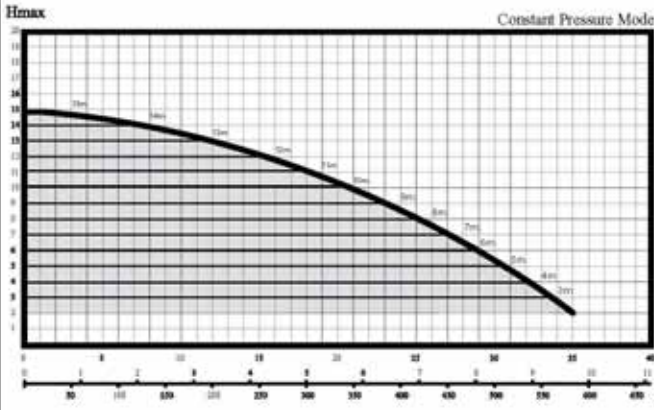
- Energy Consumption: 30 - 640 w
- Engine Speed 1500 - 4600 Rpm
- Energy Efficiency Index (EEI) : < 23
- Insulation Class: F
- Permissible Hot Range: -10° C / 110° C
- Mains Connection: 1 ~ 230 v, 50 Hz
- Protection Class : IP44
- Nominal Diameter: DN 50 Max
- Operating Pressure: 6 - 10 bar Relative
- Humidity: < %90
- Weight: 19,40 kg.

- Permanent magnet synchronous motor
- Integrated motor protection
- Operating modes:
  - Manuel Mode
  - Variable pressure mode
  - Constant pressure mode
  - Night Mode

- ECM technology high degree effectiveness
- Display Indicator



# Flanged Circulation Pump with Frequency Converter DMP50/15 - 250 INV



| Pump Type            | D1         | D2         |            | D3         | D4        | D5         | nxØm(mm)    |             | B1        | B2         | B3         | B4         | L1         | H1         | H2        | H3         | Weight       |
|----------------------|------------|------------|------------|------------|-----------|------------|-------------|-------------|-----------|------------|------------|------------|------------|------------|-----------|------------|--------------|
|                      |            | PN6        | PN10       |            |           |            | PN6         | PN10        |           |            |            |            |            |            |           |            |              |
| <b>DMP inv 50/15</b> | <b>165</b> | <b>110</b> | <b>125</b> | <b>100</b> | <b>54</b> | <b>140</b> | <b>4x14</b> | <b>4x18</b> | <b>82</b> | <b>168</b> | <b>188</b> | <b>250</b> | <b>280</b> | <b>225</b> | <b>70</b> | <b>295</b> | <b>19,40</b> |



## Flanged Circulation Pump with Frequency Converter DMP 65/12 - 340 INV



Product Range

Product series

Application Area

Construction Type

Flow Q max.  
Discharge Head H Max.

Technical Data

Equipment/Function

Specifications

Technical Information

Permanent Magnet Wet Rotor Flange Pumps

### ● DMP 65/12 - 340 INV

Heating, cooling and air conditioning systems,  
industrial circulation systems

Wet rotor circulation pump with frequency  
converter, with flange connection

43 m<sup>3</sup> / h

12 mss

- Energy Consumption: 30 - 780 w
- Engine Speed 1500 - 4600 Rpm
- Energy Efficiency Index (EEI) : < 23
- Insulation Class: F
- Permissible Hot Range: -10° C / 110° C
- Mains Connection: 1 ~ 230 v, 50 Hz
- Protection Class : IP44
- Nominal Diameter: DN 65 Max.
- Operating Pressure: 6 - 10 bar Relative
- Humidity: < %90
- Weight: 24,75 kg.

- Permanent magnet synchronous motor
- Integrated motor protection
- Operating modes;
  - Manuel Mode
  - Variable pressure mode
  - Constant pressure mode
  - Night Mode

- ECM technology high degree
- effectiveness Display Indicator
- Easy Operation and Easy Installation
- Inter-device and Optional BMS  
Communication;
  - 2 Pcs. modbus
  - 2 Pcs. digital input
  - 1 Pc. relay output
  - Optional 2 Pcs. sensor connections
  - 4 - 20 mA ve 0 - 10 V

0,5 bar < 50° C

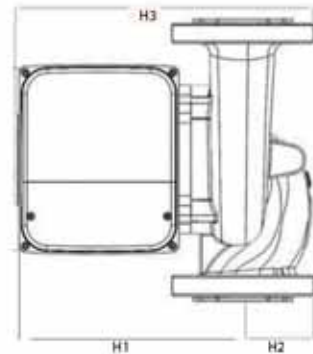
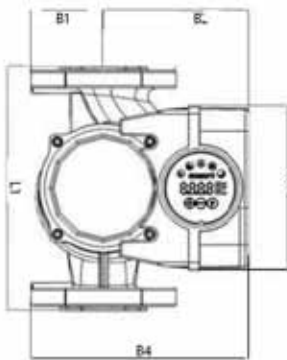
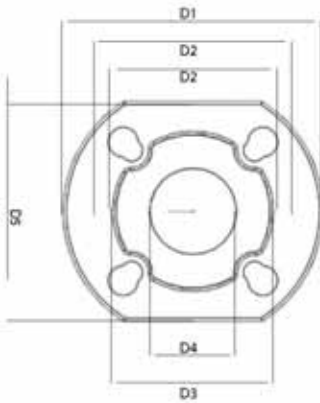
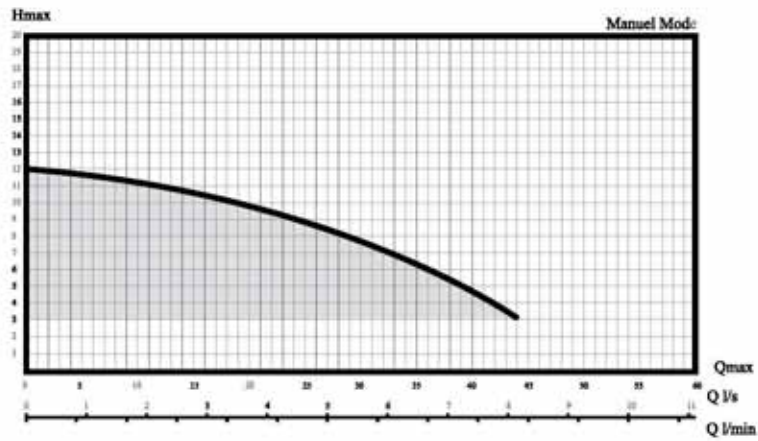
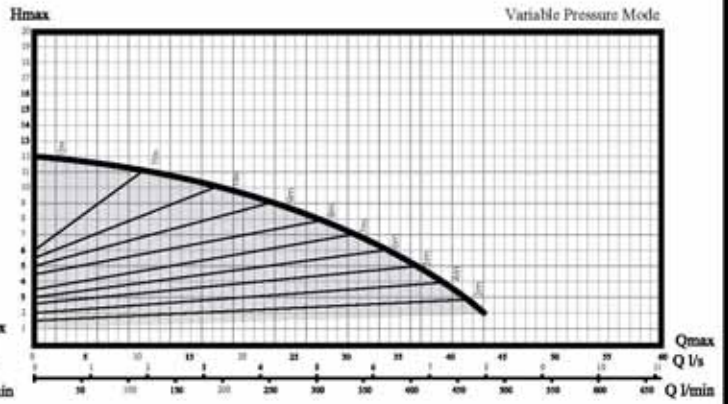
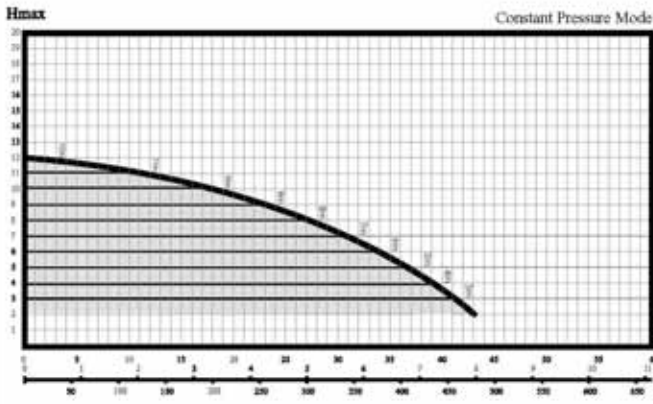
0,8 bar < 80° C

1,4 bar < 110° C





# Flanged Circulation Pump with Frequency Converter DMP 65/12 - 360 INV



| Pump Type            | D1         | D2         |            | D3         | D4        | D5         | nxØm(mm)    |             | B1          | B2           | B3         | B4         | L1         | H1         | H2        | H3         | Weight       |
|----------------------|------------|------------|------------|------------|-----------|------------|-------------|-------------|-------------|--------------|------------|------------|------------|------------|-----------|------------|--------------|
|                      |            | PN6        | PN10       |            |           |            | PN6         | PN10        |             |              |            |            |            |            |           |            |              |
| <b>DMP inv 65/12</b> | <b>185</b> | <b>130</b> | <b>145</b> | <b>120</b> | <b>69</b> | <b>162</b> | <b>4x14</b> | <b>4x18</b> | <b>92,5</b> | <b>167,5</b> | <b>188</b> | <b>260</b> | <b>340</b> | <b>233</b> | <b>81</b> | <b>314</b> | <b>24,75</b> |



## Flanged Circulation Pump with Frequency Converter DMP 65/15 - 340 INV



Product Range

Product Series

Application Area

Construction Type

Flow Q max.  
Discharge Head H Max.

Technical Data

Equipment/Function

Specifications

Technical Information

### Permanent Magnet Wet Rotor Flange Pumps

#### ● DMP 65/15 - 340 INV

Heating, cooling and air conditioning systems, industrial circulation systems

Wet rotor circulation pump with frequency converter, with Flange connection

47 m<sup>3</sup> / h

15 mss

- Energy Consumption: 40 - 1000 w
- Engine Speed 1500 - 4600 Rpm
- Energy Efficiency Index (EEI) : < 23
- Insulation Class: F
- Permissible Hot Range: -10° C / 110° C
- Mains Connection: 1 ~ 230 v, 50 Hz
- Protection Class: IP44
- Nominal Diameter: DN 65 Max.
- Operating Pressure: 6 - 10 bar Relative
- Humidity: < %90
- Weight: 24,75 kg.

- Permanent magnet synchronous motor
- Integrated motor protection
- Operating modes;
  - Manuel Mode
  - Variable pressure mode
  - Constant pressure mode
  - Night Mode

- ECM technology high degree effectiveness
- Display Indicator
- Easy Operation and Easy Installation
- Inter-device and Optional BMS Communication;
  - 2 Pcs. modbus
  - 2 Pcs. digital input
  - 1 Pc. relay output
  - Optional 2 Pcs. sensor connections
  - 4 - 20 mA ve 0 - 10 V

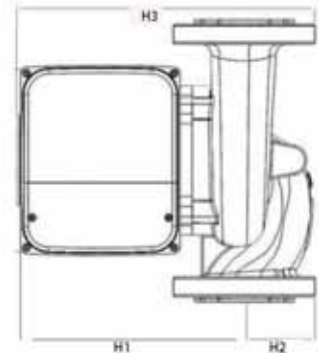
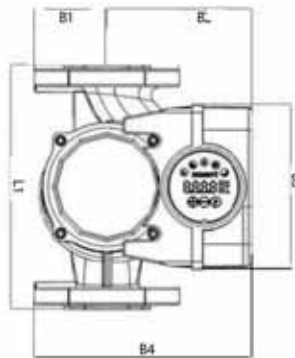
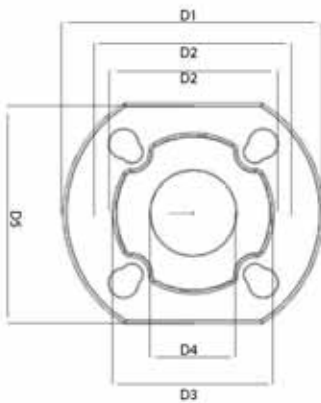
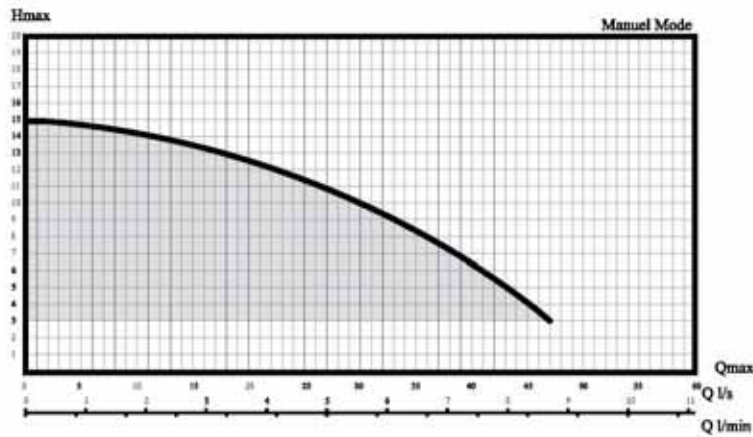
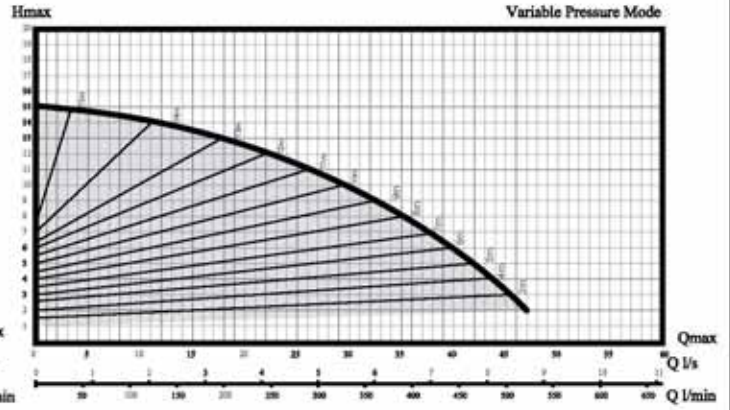
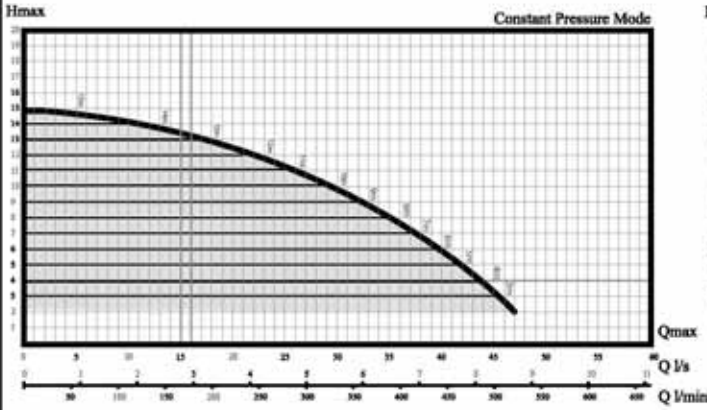
0,5 bar < 50° C

0,8 bar < 80° C

1,4 bar < 110° C



# Flanged Circulation Pump with Frequency Converter DMP 65/15 - 360 INV



| Pump Type            | D1         | D2         |            | D3         | D4        | D5         | nxØm(mm)    |             | B1          | B2           | B3         | B4         | L1         | H1         | H2        | H3         | Weight       |
|----------------------|------------|------------|------------|------------|-----------|------------|-------------|-------------|-------------|--------------|------------|------------|------------|------------|-----------|------------|--------------|
|                      |            | PN6        | PN10       |            |           |            | PN6         | PN10        |             |              |            |            |            |            |           |            |              |
| <b>DMP inv 65/15</b> | <b>185</b> | <b>130</b> | <b>145</b> | <b>120</b> | <b>69</b> | <b>162</b> | <b>4x14</b> | <b>4x18</b> | <b>92,5</b> | <b>167,5</b> | <b>188</b> | <b>260</b> | <b>340</b> | <b>233</b> | <b>81</b> | <b>314</b> | <b>24,75</b> |





## Flanged Circulation Pump with Frequency Converter

DMP 80/12 - 360 INV



Product Range

Product Series

Application Area

Construction Type

Flow Q max.  
Discharge Head H Max.

Technical Data

Equipment/Function

Specifications

Technical Data

Permanent Magnet Wet Rotor Flange Pumps

- DMP 80/12 - 360 INV

Heating, cooling and air conditioning  
systems, Industrial circulation systems

Wet rotor circulation pump with frequency  
converter, with Flange connection

51,5 m<sup>3</sup> / h

12 mss

- Energy Consumption: 30 - 1000 w
- Engine Speed 1500 - 4600 Rpm
- Energy Efficiency Index (EEI) : < 23
- Insulation Class: F
- Permissible Hot Range: -10° C / 110° C
- Mains Connection: 1 ~ 230 v, 50 Hz
- Protection Class: IP44
- Nominal Diameter: DN 80 Max.
- Operating Pressure: 6 - 10 bar Relative
- Humidity: < %90
- Weight: 27,40 kg.

- Permanent magnet synchronous motor
- Integrated motor protection
- Operating modes;
  - Manuel Mode
  - Variable pressure mode
  - Constant pressure mode
  - Night Mode

- ECM technology high degree effectiveness
- Display Indicator
- Easy Operation and Easy Installation
- Inter-device and Optional BMS  
Communication;
  - 2 Pcs. modbus
  - 2 Pcs. digital input
  - 1 Pc. relay output
  - Optional 2 Pcs. sensor connections
  - 4 - 20 mA ve 0 - 10 V

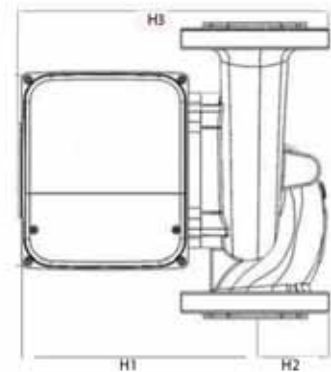
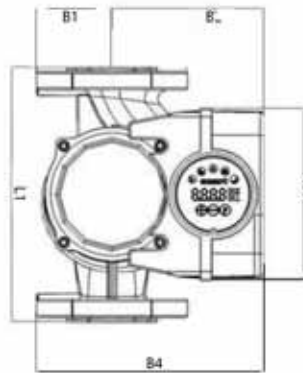
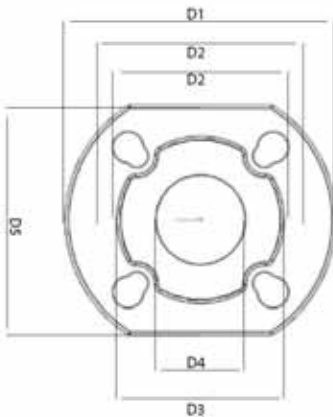
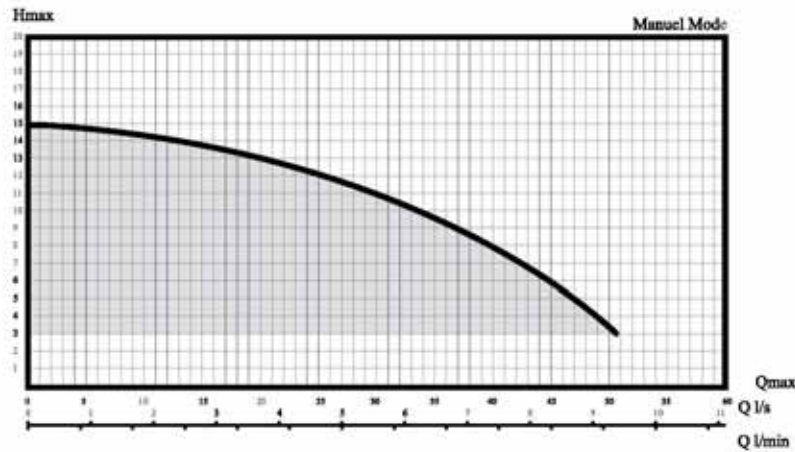
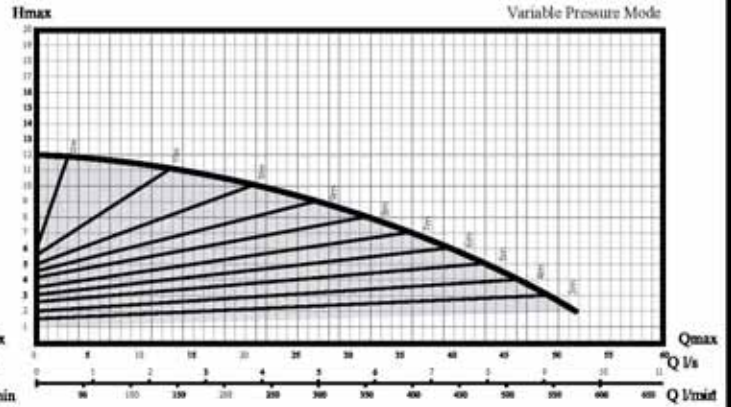
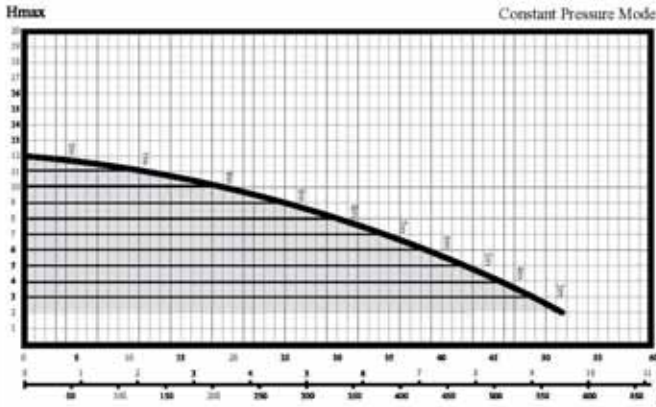
0,5 bar < 50° C

0,8 bar < 80° C

1,4 bar < 110° C



# Flanged Circulation Pump with Frequency Converter DMP 80/12 - 360 INV



| Pump Type            | D1         | D2         |            | D3         | D4        | D5         | nxØm(mm)    |             | B1         | B2         | B3         | B4         | L1         | H1         | H2        | H3         | Weight       |
|----------------------|------------|------------|------------|------------|-----------|------------|-------------|-------------|------------|------------|------------|------------|------------|------------|-----------|------------|--------------|
|                      |            | PN6        | PN10       |            |           |            | PN6         | PN10        |            |            |            |            |            |            |           |            |              |
| <b>DMP inv 80/12</b> | <b>210</b> | <b>145</b> | <b>160</b> | <b>140</b> | <b>84</b> | <b>180</b> | <b>4x14</b> | <b>4x18</b> | <b>105</b> | <b>168</b> | <b>188</b> | <b>273</b> | <b>360</b> | <b>240</b> | <b>90</b> | <b>330</b> | <b>27,40</b> |



## Flanged Circulation Pump with Frequency Converter

DMP 80/15 - 360 İNV

Product Range

Product Series

Application Area

Construction Type

Flow Q max.  
Discharge Head H Max.

Technical Data

Equipment/Function

Specifications

Technical Information

Permanent Magnet Wet Rotor Flange Pumps

### ● DMP 80/15 - 360 İNV

Heating, cooling and air conditioning systems, Industrial circulation systems

Wet rotor circulation pump with frequency converter, with Flange connection

59 m<sup>3</sup> / h

15 mss

- Energy Consumption: 30 - 1250 w
- Engine Speed 1500 - 4600 Rpm
- Energy Efficiency Index (EEI) : < 23
- Insulation Class: F
- Permissible Hot Range: -10° C / 110° C
- Mains Connection: 1 ~ 230 v, 50 Hz
- Protection Class: IP44
- Nominal Diameter: DN 80 Max.
- Operating Pressure: 6 - 10 bar Relative
- Humidity: < %90
- Weight: 27,40 kg.

- Permanent magnet synchronous motor
- Integrated motor protection
- Operating modes;
  - Manuel Mode
  - Variable pressure mode
  - Constant pressure mode
  - Night Mode

- ECM technology high degree effectiveness
- Display Indicator
- Easy Operation and Easy Installation
- Inter-device and Optional BMS Communication;
  - 2 Pcs. modbus
  - 2 Pcs. digital input
  - 1 Pc. relay output
  - Optional 2 Pc.s sensor connections
  - 4 - 20 mA ve 0 - 10 V

0,5 bar < 50° C

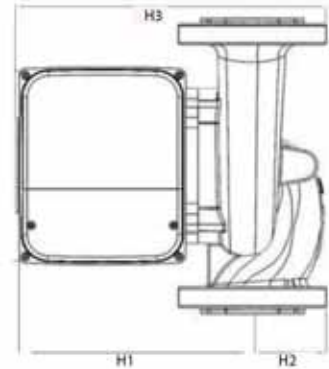
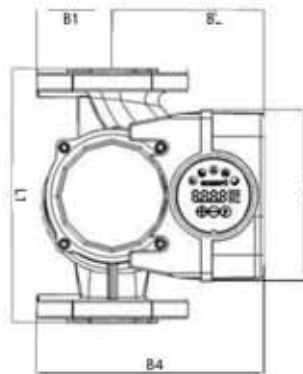
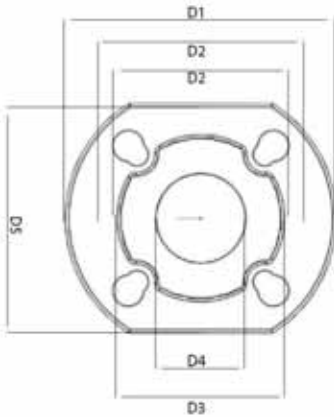
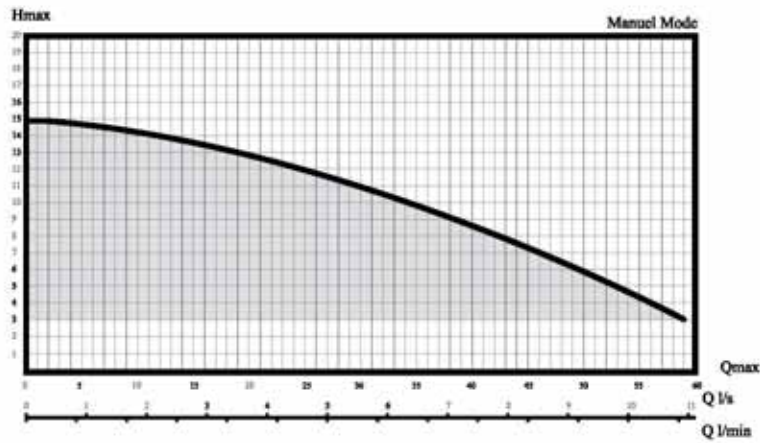
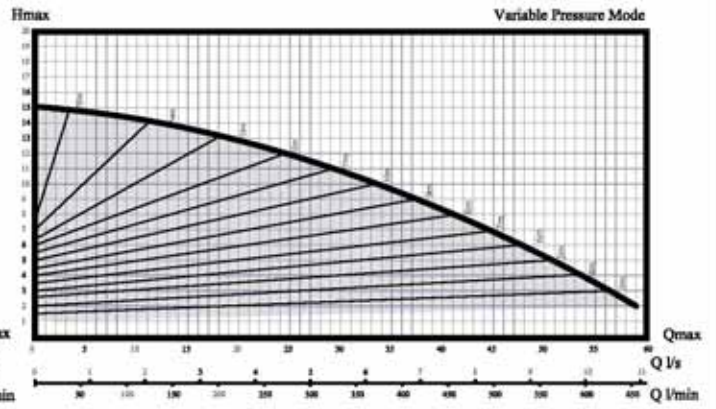
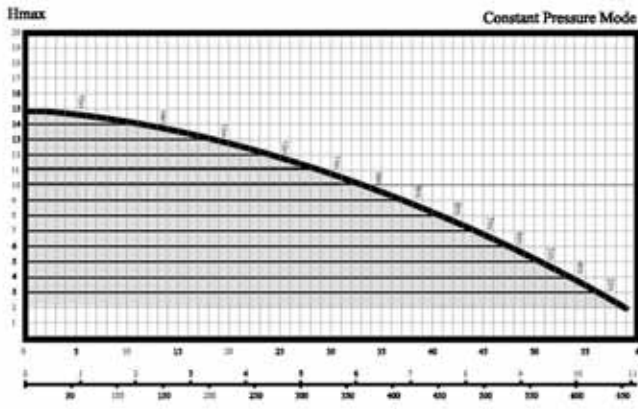
0,8 bar < 80° C

1,4 bar < 110° C



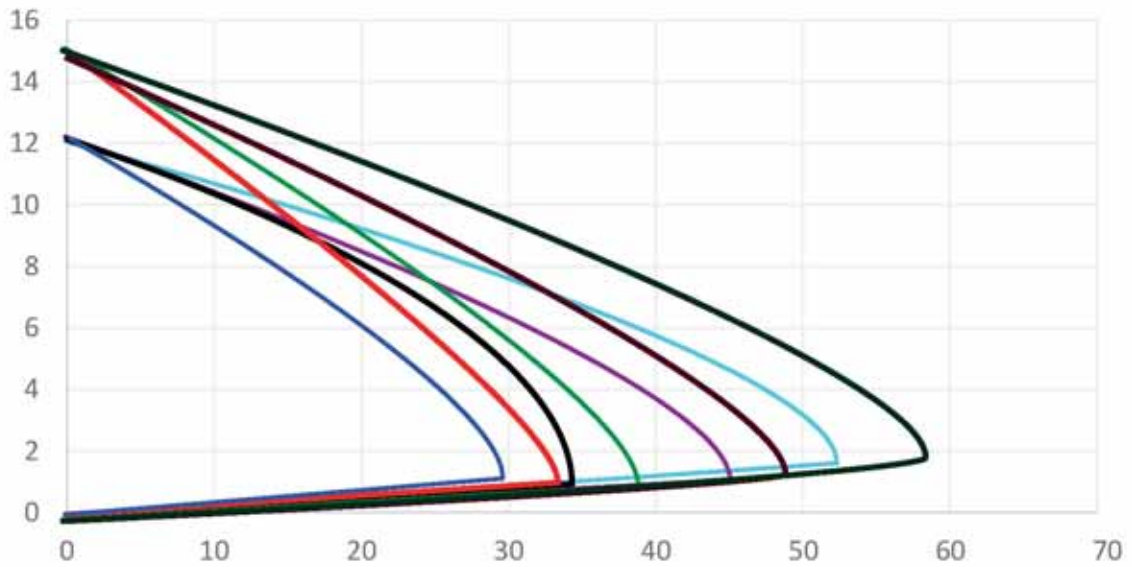


# Flanged Circulation Pump with Frequency Converter DMP 80/15 - 360 INV



| Pump Type            | D1         | D2         |            | D3         | D4        | D5         | nxØm(mm)    |             | B1         | B2         | B3         | B4         | L1         | H1         | H2        | H3         | Weight       |
|----------------------|------------|------------|------------|------------|-----------|------------|-------------|-------------|------------|------------|------------|------------|------------|------------|-----------|------------|--------------|
|                      |            | PN6        | PN10       |            |           |            | PN6         | PN10        |            |            |            |            |            |            |           |            |              |
| <b>DMP inv 80/15</b> | <b>210</b> | <b>145</b> | <b>160</b> | <b>140</b> | <b>84</b> | <b>180</b> | <b>4x14</b> | <b>4x18</b> | <b>105</b> | <b>168</b> | <b>188</b> | <b>273</b> | <b>360</b> | <b>240</b> | <b>90</b> | <b>330</b> | <b>27,40</b> |

## GENERAL SELECTION TABLE



■ 40/12   
 ■ 40/15   
 ■ 50/12   
 ■ 50/15   
 ■ 65/12   
 ■ 65/15   
 ■ 80/12   
 ■ 80/15

### TECHNICAL INFORMATION

|                                  | 40/12  | 40/15     | 50/12     | 50/15     | 65/12     | 65/15     | 80/12     | 80/15     |
|----------------------------------|--|-----------|-----------|-----------|-----------|-----------|-----------|-----------|
| Max. Discharge Head (m)          | 12   | 15        | 12        | 15        | 12        | 15        | 12        | 15        |
| Maximum Flow (m <sup>3</sup> /h) | 28   | 30,5      | 31,5      | 35        | 43        | 47        | 51,5      | 57        |
| Engine Speed (rpm)               | 1500-4300                                    | 1500-4600 | 1500-4300 | 1500-4600 | 1000-4300 | 1500-4600 | 1000-4300 | 1500-4600 |
| Input Voltage and Frequency      | 1~230 V AC ± 10, 50 HZ, (PE) Toprak Korumalı |           |           |           |           |           |           |           |
| Nominal Current                  | 2  | 2,77      | 2,34      | 2,8       | 3,4       | 4,35      | 4,45      | 5,45      |
| Power Attraction (w)             | 30-460                                       | 30-630    | 30-540    | 30-640    | 35-780    | 40-1000   | 40-1000   | 40-1000   |
| Energy Efficiency Index (EEI)    | ≤ 0,23                                       |           |           |           |           |           |           |           |
| Insulation Class                 | F  |           |           |           |           |           |           |           |
| Protection Class                 | IP 44  |           |           |           |           |           |           |           |
| Temperature Class                | TF 110                                       |           |           |           |           |           |           |           |
| Max. System Pressure             | PN 6/10                                      |           |           |           |           |           |           |           |
| Relative Humidity                | < %90  |           |           |           |           |           |           |           |

### CABLE AND FUSE RATINGS

|       | 40/12   | 40/15 | 50/12 | 50/15 | 65/12 | 65/15 | 80/12 | 80/15 |
|-------|---|-------|-------|-------|-------|-------|-------|-------|
| CABLE | 3*1.5mm <sup>2</sup> veya 3*2.5 mm <sup>2</sup> |       |       |       |       |       |       |       |
| FUSE  | 10A   |       |       |       |       |       |       |       |

### PUMP SIZES

| Pump Type     | D1  | D2  |      | D3  | D4 | D5  | nxØm (mm) |      | B1   | B2    | B3  | B4  | L1  | H1  | H2 | H3  | Weight |
|---------------|-----|-----|------|-----|----|-----|-----------|------|------|-------|-----|-----|-----|-----|----|-----|--------|
|               |     | PN6 | PN10 |     |    |     | PN6       | PN10 |      |       |     |     |     |     |    |     |        |
| DMP inv 40/12 | 150 | 100 | 110  | 90  | 44 | 130 | 4x14      | 4x18 | 75   | 168   | 188 | 243 | 250 | 225 | 65 | 290 | 18,10  |
| DMP inv 40/15 | 150 | 100 | 110  | 90  | 44 | 130 | 4x14      | 4x18 | 75   | 168   | 188 | 243 | 250 | 225 | 65 | 290 | 18,10  |
| DMP inv 50/12 | 165 | 110 | 125  | 100 | 54 | 140 | 4x14      | 4x18 | 82   | 168   | 188 | 250 | 280 | 225 | 70 | 295 | 19,40  |
| DMP inv 50/15 | 165 | 110 | 125  | 100 | 54 | 140 | 4x14      | 4x18 | 82   | 168   | 188 | 250 | 280 | 225 | 70 | 295 | 19,40  |
| DMP inv 65/12 | 185 | 130 | 145  | 120 | 69 | 162 | 4x14      | 4x18 | 92,5 | 167,5 | 188 | 260 | 340 | 233 | 81 | 314 | 24,75  |
| DMP inv 65/15 | 185 | 130 | 145  | 120 | 69 | 162 | 4x14      | 4x18 | 92,5 | 167,5 | 188 | 260 | 340 | 233 | 81 | 314 | 24,75  |
| DMP inv 80/12 | 210 | 145 | 160  | 140 | 84 | 180 | 4x14      | 4x18 | 105  | 168   | 188 | 273 | 360 | 240 | 90 | 330 | 27,40  |
| DMP inv 80/15 | 210 | 145 | 160  | 140 | 84 | 180 | 4x14      | 4x18 | 105  | 168   | 188 | 273 | 360 | 240 | 90 | 330 | 27,40  |

A large, dynamic splash of water in shades of blue and white, occupying the left and top portions of the page. The water droplets are captured in mid-air, creating a sense of movement and freshness.

# -duyar-

## motorpompa

dupumps 

İletişim +90 232 449 16 46

[info@duyarpompa.com](mailto:info@duyarpompa.com)

[www.duyarpompa.com](http://www.duyarpompa.com)

1490 SOK NO:2 E-F Ege Ticaret Merkezi Yenişehir